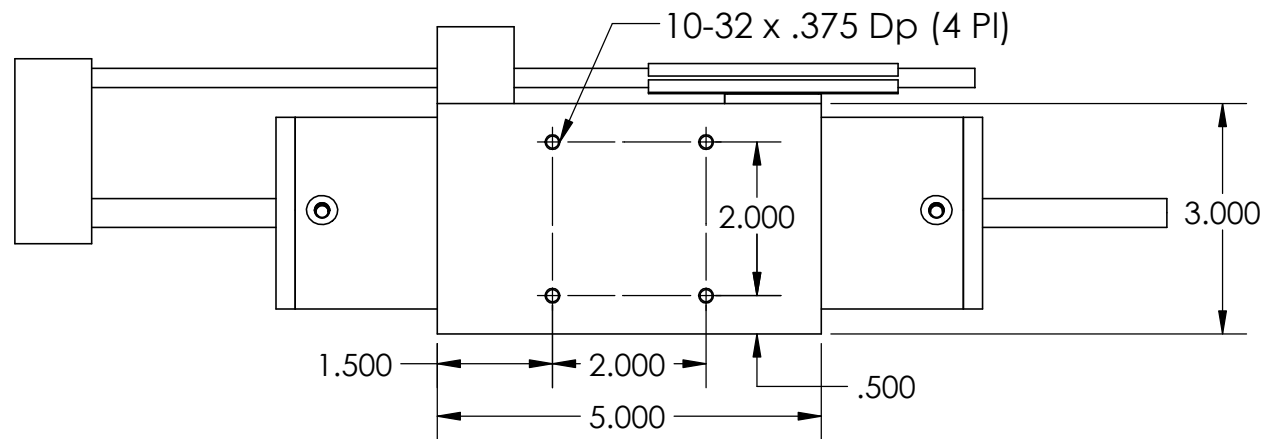
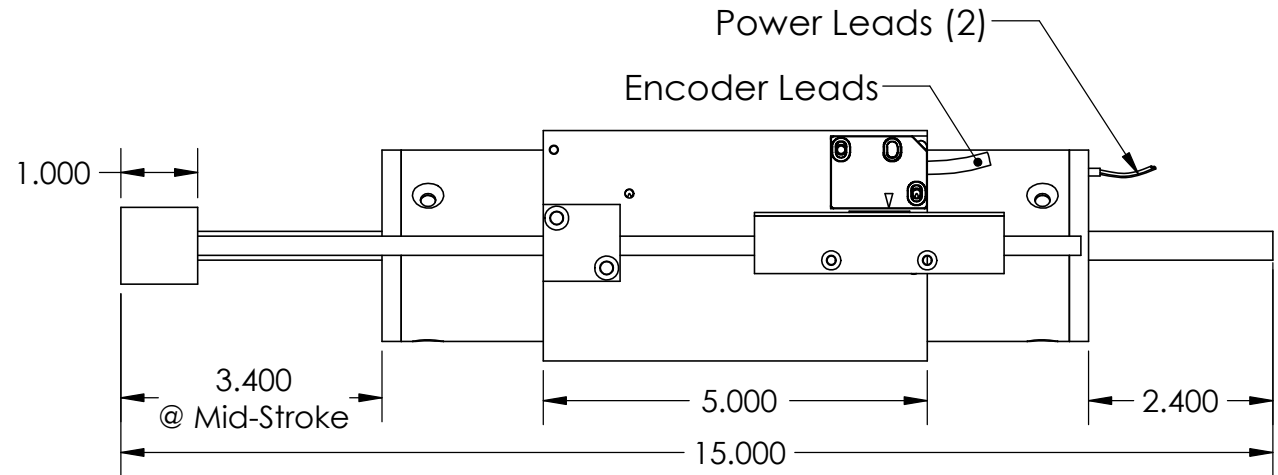
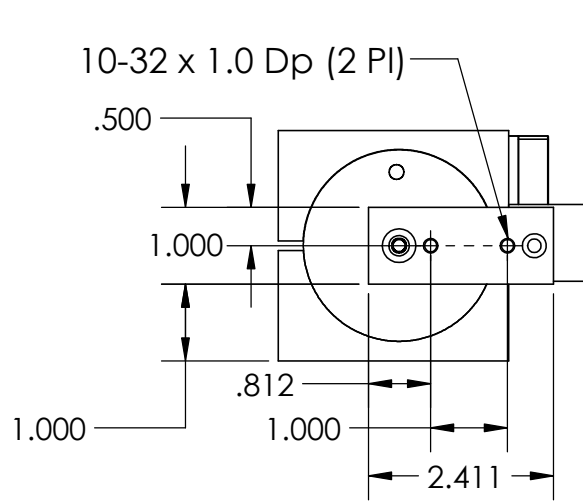


These drawings and specifications are the property of H2W Technologies, Inc. They are issued in confidence and shall not be reproduced, copied, or used without written permission from H2W Technologies, Inc. (www.h2wtech.com)

REVISION TABLE						
REV	ECN#	DESCRIPTION		REV BY	APPROVED	DATE
---	---	Original Drawing		OOG	MPW	1-20-17



H2W Technologies, Inc.

26470 Ruether Ave #102 Santa Clarita, CA 91350 USA
 Tel: (661) 251-2081 Fax: (661) 251-2067
 www.h2wtech.com

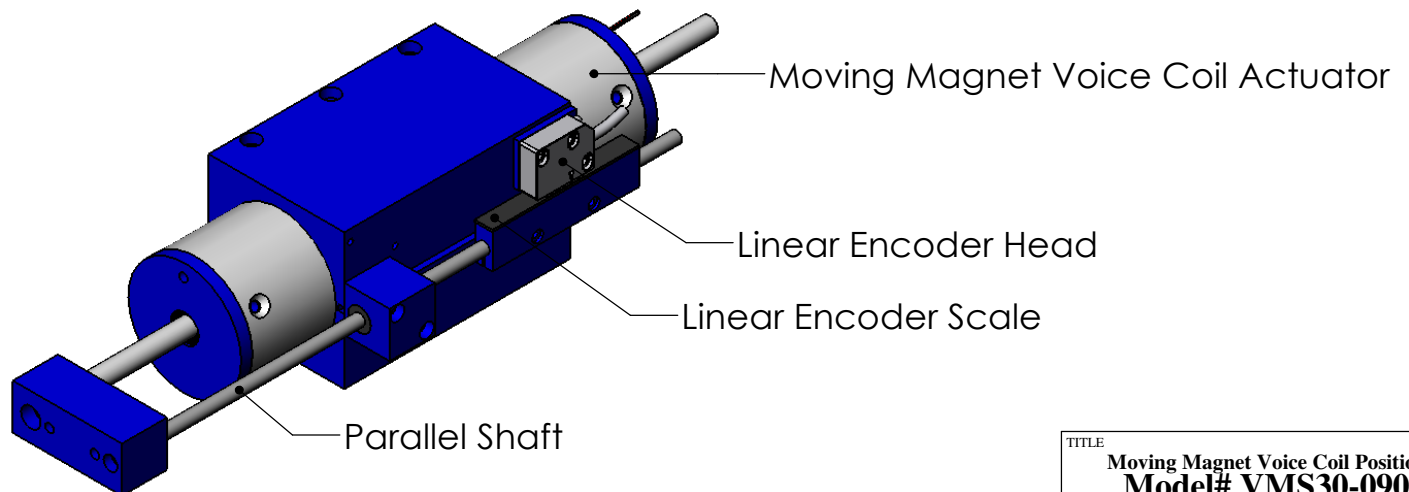
UNLESS SPECIFIED OTHERWISE:
 All dimensions are in inches
 Standard Tolerances are as follows
 .XXX ±.005 ANGLES ±1°
 .XX ±.010 FILLETS .010
 .X ±.020 CORNERS .010
 Remove All Burs and Sharp Edges

MATERIAL		DATE		APPROVED	
		1-20-17	1-20-17	MPW	
FINISH		DRAWN	DATE	APPROVED	DATE
		OOG	1-20-17	MPW	1-20-17

TITLE			
Moving Magnet Voice Coil Positioning Stage Model# VMS30-090-LB-1			
DWG #	REV	SHEET	
31-0779	---	1 of 2	

MOVING COIL NON-COMM ACTUATOR SPECIFICATIONS

Motor P/N	NCM30-25-090-2LB	
Stroke	3.00"	76.2 mm
Encoder Resolution	1 micron	
Bearing Type	Bushing	
Moving Mass	1.70 lbs	770 grams
Total Mass	7.75 lbs	3500 grams
Resistance @ 20C	6.3 ohms	
Inductance @ 20C	8.0 mH	
Electrical Time Constant	1.27 msec	
Motor Constant	0.82 LBS/SQRT(Watt)	3.6 N/SQRT(Watt)
Force Constant	2.04 LBS/Amp	9.1 N/Amp
Back EMF	0.23 V/ips	9.1 V/m/sec
Continuous Force	9.0 LBS	40.1 N
Max Power @ 100% Duty	120 Watts	
Peak Force	27 LBS	120 N
Max Power @ 10% Duty	1084 Watts	



TITLE		
Moving Magnet Voice Coil Positioning Stage Model# VMS30-090-LB-1		
DWG #	REV	SHEET
31-0779	---	2 of 2